



TRAC 12, TRAC 12/25, FLEX 12

Low Voltage Systems

12V AC LED-COMPATIBLE ELECTRONIC DRIVER/TRANSFORMER

TL601E



Project: _____

Fixture Type: _____

Location: _____

Contact/Phone: _____

PRODUCT SPECIFICATIONS

Description

- TL601E 10W:** 12V-10VA Surface Mount Driver/Transformer
 - Rated for 0.5-10 watts total load.
- TL601E 25W:** 12V-25VA Surface Mount Driver/Transformer
 - Rated for 0.5-25 watts total load.
- TL601E 60W:** 12V-60VA Surface Mount Driver/Transformer
 - Rated for 0.5-60 watts total load.
- TL601E 75W:** 12V-75VA Surface Mount Driver/Transformer
 - Rated for 0.5-75 watts total load.

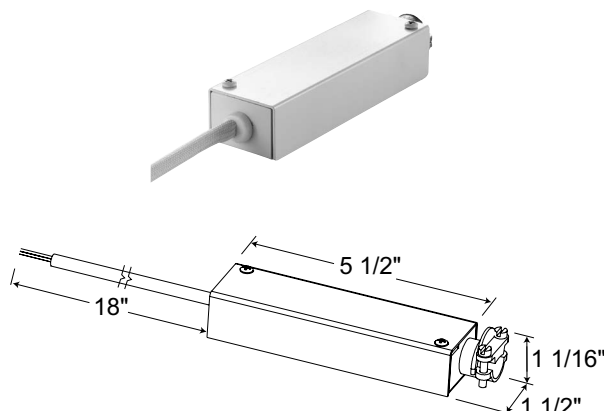
Electrical 120VAC input • Ideally suited for driving Juno Trac 12 LED fixtures • May also be used to operate incandescent loads up to 75W • Replaceable fuse on primary • Other TL601E driver/transformer wattages up to 75W are available via special order – consult factory for pricing and availability.

Construction 18 gauge die formed steel housing • Low-profile, 1" overall height • Available in standard direct-wire and optional 6' 3-wire cord & plug versions • Direct-wire versions supplied with die-cast fitting for 3/8" flexible metal conduit • Polyester powder coat paint finish • Available in white or black finishes • 17" nominal sleeved, stripped and tinned leadwires provided to connect output to trac feed connector.

Dimming Incandescent loads can be dimmed with high quality dimmers designed specifically for use with electronic transformers • LED loads may be dimmed using only dimmers that have been tested and qualified by Juno for use with Juno LED fixtures including: Leviton Acenti ACE06-1L, Lutron Diva DVELV-300P, Lutron Nova T NTELV-300, Lutron Maestro MAELV-600, Lutron Skylark SELV-300P, Lutron Faedra FAELV-500, Lutron Spacer SPSELV-600 – consult factory to confirm compatibility of other dimmers prior to installation with Juno LED fixtures.

Installation To avoid excessive voltage drop, maximum trac run length from driver input is 21' • Driver should be mounted within 18" of trac feed connection • Terminal block wiring connections for simpler, faster installation • Ground screw provided for simple ground wire attachment • Two 1/2" #6 wood screws provided for mounting to wood surfaces • Operate in accessible locations with ambient temperatures below 120°F.

DIMENSIONS



Note: Trac run lengths longer than 21' and remote mounting more than 18" from trac is not recommended due to voltage drop.

Government Procurement

BAA – Buy America(n) Act: Product qualifies as a domestic end product under the Buy American Act as implemented in the FAR and DFARS. Product also qualifies as manufactured in the United States under DOT Buy America regulations.

BABA – Build America Buy America: Product qualifies as produced in the United States under the definitions of the Build America, Buy America Act. Please refer to www.acuitybrands.com/buy-american for additional information.

Labels UL/cUL Listed • Suitable for damp locations.

Specifications subject to change without notice.

ORDERING INFORMATION

Example: TL601E 75W 120 12AC 6CP WH

Series	Wattage	Input Voltage	Output Voltage	Factory Installed Options	Finish
TL601E Electronic Driver/Transformer	10W 10 Watts	120 120VAC	12AC 12VAC	6CP 6FT Cord & Plug	BL Black WH White
	25W 25 Watts				
	60W 60 Watts				
	75W 75 Watts				

TRAC 12, TRAC 12/25, FLEX 12

Low Voltage Systems

12V AC LED-COMPATIBLE ELECTRONIC DRIVER/TRANSFORMER

TL601E

ENGINEERING DATA

	10W	25W	60W	75W
Input Voltage	120VAC	120VAC	120VAC	120VAC
Input Current Typ.	0.09A	0.21A	0.50A	0.59A
Nominal Output	12VAC	12VAC	12VAC	12VAC
Max. Load	10 Watts (VA)	25 Watts (VA)	60 Watts (VA)	75 Watts (VA)
Operating Frequency	>20kHz	>20kHz	>20kHz	>20kHz
Power Factor	>.98%	>.98%	>.98%	>.98%
T.H.D.	<15%	<15%	<15%	<15%
EMI	FCC Part 18 Class B	FCC Part 18 Class B	FCC Part 18 Class B	FCC Part 18 Class B

APPLICATION

Consideration	12V Electronic Driver/Transformer	12V Magnetic Transformer
• Trac run length	• Use for short to medium run lengths and low to medium wattage systems	• Use for medium to long and medium to higher wattage systems
• Dimming	• For optimal results, use dimmers specifically designed for use with electronic transformers; transformers used with Juno LED fixtures should only be operated with dimmers pre-qualified for suitability by Juno Engineering	• For optimal results, use dimmers specifically designed for use with magnetic transformers; transformers used with Juno LED fixtures should only be operated with dimmers pre-qualified for suitability by Juno Engineering
• Transformer Location	• Install surface mount units in well-ventilated locations where ambient temperature will not exceed 120°F (50°C); transformer must be accessible	• Install in well ventilated locations where ambient temperature will not exceed 140°F (60°C); transformer must be accessible.
• Distance to trac Feed point	• Must be mounted within 18" of trac feed point	• Suitable for remote mounting at long distances