



SLOPE CEILING TC HOUSING

STANDARD SLOPE:

2/12 TO 6/12 PITCH (9° TO 27°)

INCANDESCENT LAMPS

TC926

Project: _____

Fixture Type: _____

Location: _____

Contact/Phone: _____

PRODUCT DESCRIPTION

Slope ceiling TC Housing designed for use in non-insulated areas
 • If installed where insulation is present, the insulation must be pulled back 3" from all sides of the TC housing.

PRODUCT SPECIFICATIONS

Lamp Lamp ratings based on trim selected – see reverse.

Socket Medium base porcelain with nickel-plated copper screw shell
 • Adjustable to position lamp perpendicular to floor.

Trims Trim selection shown on reverse.

Labels U.L. listed for through-branch wiring, damp locations and IP
 • Product thermally protected against improper use of lamps or insulation
 • Union made • UL Listed/CSA certified • Trim No. 610 is wet location approved for covered ceiling applications.

Testing All reports are based on published industry procedures; field performance may differ from laboratory performance.

Specifications subject to change without notice.

INSTALLATION

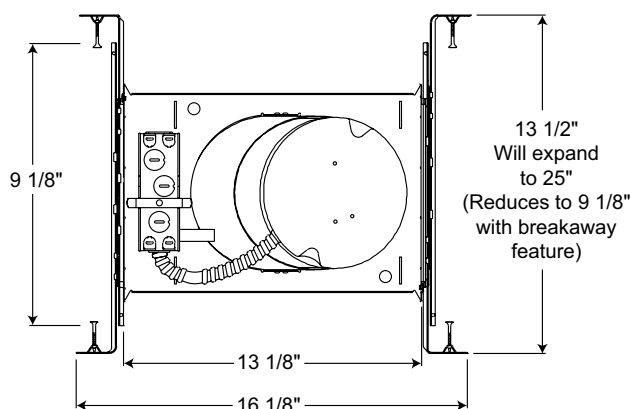
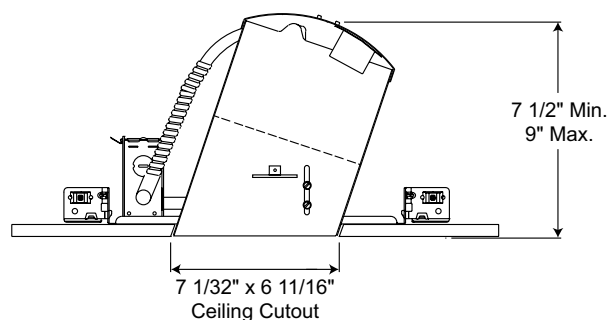
Real Nail 3 Bar Hangers Telescoping, Patented (US Patent D552,969) Real Nail 3 system permits quick placement of housing anywhere within 24" O.C. joists or suspended ceilings
 • Integral T-bar notch and clip secures housing in suspended ceiling grid – no accessory clips required
 • 24" expansion stop allows quick placement of fixture in standard grid spacing
 • Bars scored in two locations for fast, clean breaking, allowing housing installation in tight applications
 • Bars captive to mounting frame
 • Edge-mounted for extra strength
 • Captive bugle-headed ring shank nail for quick one-step installation and easy removal with claw hammer for fixture relocation
 • Quick-Loc slot and oversized locking set screw lock fixture in position
 • Bar hanger foot contoured to align to bottom of construction joist
 • Alternate mounting holes included.

Junction Box Pre-wired junction box provided with (5) 1/2" and (1) 3/4" knockouts, (4) Non-metallic sheathed cable connectors and ground wire, U.L. listed/CSA certified for through-branch wiring, maximum 8 No. 12 AWG 90° C branch circuit conductors (4 in, 4 out)
 • Junction box provided with removable access plates
 • Knockouts equipped with pryout slots.

Mounting Frame 22-gauge die-formed galvanized steel mounting frame
 • Rough-in section (junction box, mounting frame, housing and bar hangers) fully assembled for ease of installation.

Housing TC housing, 22-gauge white painted steel with aluminum cap
 • Housing is vertically adjustable to accommodate up to a 1" ceiling thickness
 • Designed to fit 2x8 or 2x10 construction.

DIMENSIONS



PRODUCT CODES






Catalog Number	Input Voltage	Lamp Rating
TC926 6" Incandescent Slope Ceiling New Construction Non-IC Hsg	120V	A19/MR16/BR30/R30/PAR30/PAR30L/PAR38

Housing and trim can be ordered together or separate, but will always ship separately.

SLOPE CEILING TC HOUSING

STANDARD SLOPE:
2/12 TO 6/12 PITCH (9° TO 27°)
INCANDESCENT LAMPS
TC926

TRIMS/ LAMPS

	Cat. No.	Description	Lamp Rating
	610 BWH ◆	6" Lensed Shower Trim Flat Diffuser Trim - Black Baffle, White Trim Ring	75W A19, 75W PAR30
	610 WWH ◆	6" Lensed Shower Trim Flat Diffuser Trim - White Baffle, White Trim Ring	
	612 BWH	6" Downlight Cone Trim - Black Alzak® Cone, White Trim Ring	75W PAR30, 150W PAR38, 85W BR30
	612 CWH	6" Downlight Cone Trim - Clear Alzak® Cone, White Trim Ring	
	612 HZSC	6" Downlight Cone Trim - Haze Cone, Satin Chrome Trim Ring	
	612 HZWH	6" Downlight Cone Trim - Haze Cone, White Trim Ring	
	612 WHZBRZ	6" Downlight Cone Trim - Wheat Haze Cone, Bronze Trim Ring	
	612 WHZWH	6" Downlight Cone Trim - Wheat Haze Cone, White Trim Ring	
	614 BBRZ	6" Standard Slope Downlight Baffle Trim - Black Baffle, Bronze Trim Ring	150W PAR38
	614 BBL	6" Standard Slope Downlight Baffle Trim - Black Baffle, Black Trim Ring	
	614 BSC	6" Standard Slope Downlight Baffle Trim - Black Baffle, Satin Chrome Trim Ring	
	614 BWH	6" Standard Slope Downlight Baffle Trim - Black Baffle, White Trim Ring	
	614 WWH	6" Standard Slope Downlight Baffle Trim - White Baffle, White Trim Ring	
	616 BWH	6" Adjustable Cylinder Spotlight in Baffle Trim - Black Baffle, White Trim Ring	60W PAR16
	616 WWH	6" Adjustable Cylinder Spotlight in Baffle Trim - White Baffle, White Trim Ring	
	619 BWH	6" Adjustable Eyeball in Baffle Trim - Black Baffle, White Trim Ring	85W BR30
	619 WWH	6" Adjustable Eyeball in Baffle Trim - White Baffle, White Trim Ring	

Trim Size: 7 5/8" O.D. (except Cat. Nos. 612 and 614-7 3/8" O.D.).

◆ UL Listed for use in wet location.