

OLMF

1-Head LED Security Floodlight

Energy Efficiency in Traditional Day Form

The OLMF LED floodlight is designed to provide uniform illumination and energy efficiency in a traditional day form. This floodlight offers an efficacy of 90 lumens per watt and it is ideal for illuminating yards, driveways, patios, warehouses as well as for security applications.

- Replaces: 300W Quartz Halogen
- Lumens: 2,500
- Input Watts: 28W
- Voltage: 120V
- Color Temperature: 4000K
- Expected Service Life: Approximately 14 years (50,000 hours¹)
- Mounting: Easily mounts to ceiling or wall on a recessed junction box
- Ideal for commercial applications

¹LED lifespan based on IESNA LM-80-08 results and calculated per IESNA TM-21-11 methodology.

Learn more about the OLMF LED at www.lithonia.com

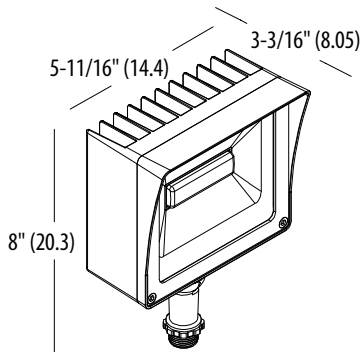


OLMF Floodlight

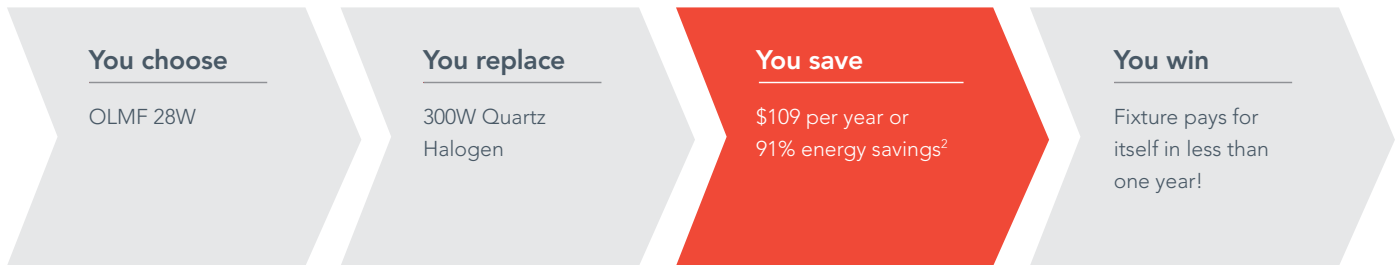
Ordering Information

EXAMPLE: OLMF P1 40K 120 DDB HP17

OLMF									
Series		Performance Package		Color Temperature		Voltage		Finish	
OLMF	1-Head LED Floodlight	P1	2,500 Lumens	40K	4000K ¹	120	120 Volts	DDB HP17	Dark Bronze



Need more out of your LED luminaires?



Notes

- 1 Correlated Color Temperature (CCT) shown is nominal per ANSI C78,377-2008.
- 2 Based on 10 hours operation per day and energy costs of \$.11 per kWh. Savings from energy only, not including maintenance costs.
- 3 Annual Energy + Estimated Lamp Replacement Cost= Total Annual Savings.



Visit www.lithonia.com for more information