

Catalog Number
Notes
Type

FEATURES & SPECIFICATIONS

INTENDED USE — The adjustable LED iGimbal downlighting module is 80% more efficient than incandescent luminaires, performing for 35,000 hours or more with exceptional energy efficiency and near zero maintenance. The LED iGimbal is intended for sloped ceiling applications, grazing textured surfaces, wall washing, and highlighting artwork or other architectural features. Retrofits into most existing recessed downlighting installations or new construction and remodel applications.

CONSTRUCTION — Spun steel gimbal reflectors with 360° of rotation and at least 50° of adjustable tilt in both directions. Driver affixed to a static yoke to allow maximization of LED light engine rotation and pivot movements.

OPTICS — Diffused lens at end of mixing chamber to provide even light distribution for general illumination, equivalent to 50W incandescent flood lamp. Utilizes 2700K, 3000K and 4000K color temperature LEDs. CRI – 90+. The LED module maintains at least 70% light output for 35,000 hours.

ELECTRICAL — Primary power disconnect provided for simple connection to a dedicated LED connector in the housing. Dimming down to 15%.

INSTALLATION — Suitable for installation in standard height rough-in sections. Splice kit ships standard. This enables easy installation or permanent conversion to an LED source for Title 24 compliance. Includes three friction clips to ensure easy installation.

LISTINGS — ETL certified to US and Canadian safety standards. FCC Certified. ENERGY STAR® certified; Certified to the high efficacy requirements of California T24. Damp location listed.

WARRANTY — 5-year limited warranty. Complete warranty terms located at: www.acuitybrands.com/support/warranty/terms-and-conditions

Note: Actual performance may differ as a result of end-user environment and application. All values are design or typical values, measured under laboratory conditions at 25 °C. Specifications subject to change without notice.



4iG

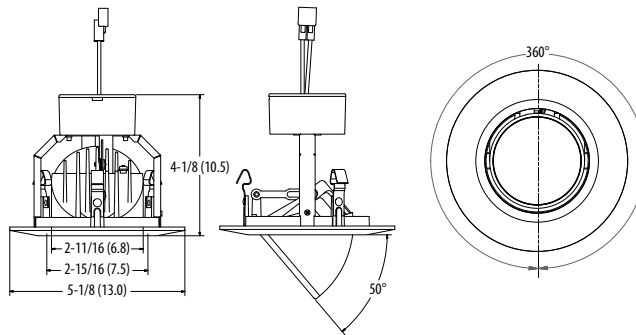
IC/Non-IC
Retrofit iGimbal



Specifications

Aperture:	2-11/16 (6.8)
Ceiling opening:	as rough-in
Height:	4-1/8 (10.5)
Overlap trim:	5-1/8 (13.0)

All dimensions are in inches (centimeters) unless otherwise indicated.



Splice Kit
(included)

ORDERING INFORMATION

For shortest lead times, configure product using **standard options (shown in bold)**.

Example: 4iGMW LED 27K 90CRI L3LED T24

4iG		LED		Voltage		Options	
Series/Finish	Lamp	CCT/CRI/W/Lumens ²		Voltage		Options	
4iG 4" iGimbal module	MW Matte white	LED	27K 90CRI 2700K/92CRI/9.8W/610L	(blank) 120V	L3LED T24	IC/Non-IC rated, new construction rough-in LED base	
	MB Matte black		30K 90CRI 3000K/92CRI/9.8W/640L			L3RLED T24 IC/Non-IC rated, remodel rough-in LED base	
	BN Brush nickel ¹		40K 90CRI 4000K/94CRI/9.8W/670L				
	ORB Oil-rubbed bronze ¹						
					L3	IC/Non-IC rated, new construction rough-in ^{3,4}	
					L3R	IC/Non-IC rated, remodel rough-in ^{3,4}	

Notes

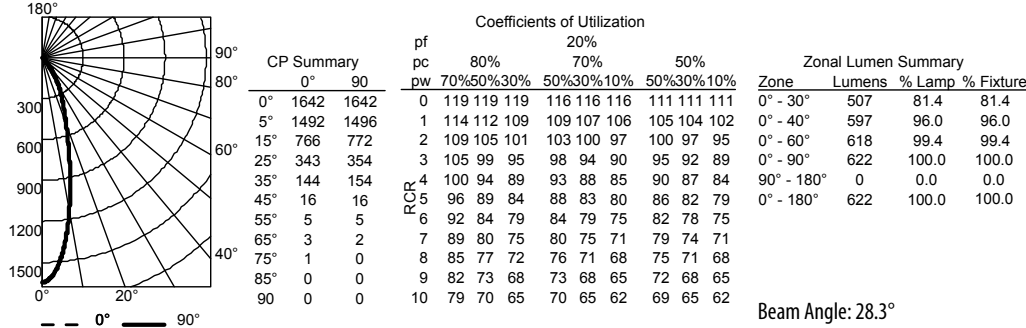
- Minimum 90-day lead time for non-standard color finishes in 2700K, 3000K, and 4000K color temperatures. Minimum 50 piece order quantity.
- Total system delivered lumens.
- Must be ordered on a separate line.
- To install LED iGimbal, remove sockets and assemble leaving socket wires. Install using hardware kit provided.

4iG 4" LED iGimbal Module

PHOTOMETRICS

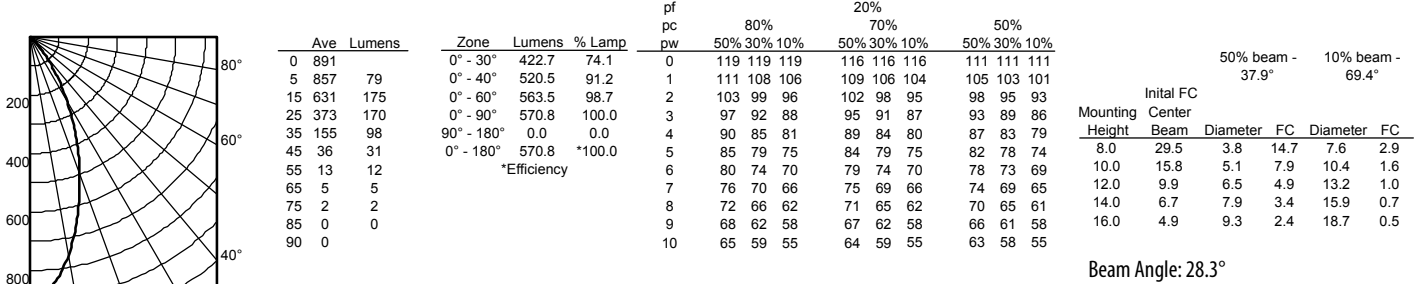
Distribution Curve Distribution Data Output Data Coefficient of Utilization Illuminance Data at 30" Above Floor for a Single Luminaire

4iGMW LED, 2700 K LEDs, input watts: 9.6, delivered lumens: 623, LM/W=65, test no. LTL28994P1, tested in accordance with IESNA LM 79-80.



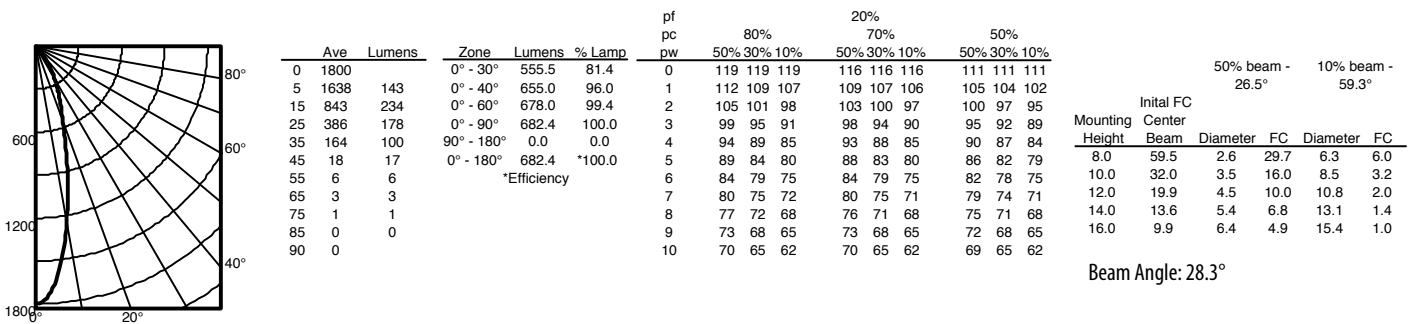
Distribution Curve Distribution Data Output Data Coefficient of Utilization Illuminance Data at 30" Above Floor for a Single Luminaire

4iGMW LED, 3000 K LEDs, input watts: 9.6, delivered lumens: 693, LM/W=72, test no. LTL28994, tested in accordance with IESNA LM 79-80.



Distribution Curve Distribution Data Output Data Coefficient of Utilization Illuminance Data at 30" Above Floor for a Single Luminaire

4iGMW LED, 4000 K LEDs, input watts: 9.6, delivered lumens: 682, LM/W=71, test no. LTL28994P2, tested in accordance with IESNA LM 79-80.



DIMMING AND ENERGY DATA

ENERGY DATA*			
Lumens	610	640	670
Watts	9.8	9.8	9.8
LPW	62	65	68
CRI	92	92	94
Color Temp	2700	3000	4000
Minimum Starting Temp	0°F (-18°C)	0°F (-18°C)	0°F (-18°C)
EMI/RFI	FCC Title 47 CFR, Part 15, Class B	FCC Title 47 CFR, Part 15, Class B	FCC Title 47 CFR, Part 15, Class B
Min. Power Factor	0.90	0.90	0.90
Input current	0.08A	0.08A	0.08A

*Values at non-dimming line voltage.

COMPATIBLE DIMMER SWITCHES			
Manufacturer	Model/Series	Part Numbers	Type
Sensor Switch	nLight	nSP5 PCD 2W	2-Way 575W Incandescent
		nSP5 PCD ELV 120	475W Electronic Low Voltage
Pass & Seymour	Harmony	HCL453PTCCCV6	3-Way 450W LED and CFL
Leviton	Sure Slide™ Decora	6633-P	3-Way 600W Incandescent
Lutron	Nova T	NTELV-300P	300W Electronic Low Voltage
	Diva	DVELV-300P	Single-pole, 300W, ELV
	Ariandni C-L	AYCL-153P-WH	150W CFL/LED or 600W incandescent
Insteon	Insteon	2477D	Single-pole & 3-way, 600W, ELV

When installing the LED Modules on a run with a dimmer, please use the following rule of thumb when determining the number of fixtures controlled by a single dimmer:

- Figure that each LED fixture represents a 65 Watt load
- Divide the maximum load of the dimmer by 65 watt fixture load. (round down to the nearest whole number).

Example:

Dimmer max load=600 watts

LED fixture load=65 watts

600 watts/65 watts per fixture=9 fixtures per run

4iG 4" LED iGimbal Module

LED lighting facts[®]
A Program of the U.S. DOE Lithonia Lighting

Light Output (Lumens)	610
Watts	9.8
Lumens per Watt (Efficacy)	62.24

Color Accuracy
Color Rendering Index (CRI) **92**

Light Color
Correlated Color Temperature (CCT) **2700 (Warm White)**

2700K 3000K 4500K 6500K

Warm White Bright White Daylight

All results are according to IESNA LM-79-2008: *Approved Method for the Electrical and Photometric Testing of Solid-State Lighting*. The U.S. Department of Energy (DOE) verifies product test data and results.

Visit www.lightingfacts.com for the *Label Reference Guide*.

Registration Number: NJSM-8FP72F (11/2/2015)
Model Number: 4iGxx LED 27K 90CRI
Type: Luminaire - Downlight

LED lighting facts[®]
A Program of the U.S. DOE Lithonia Lighting

Light Output (Lumens)	640
Watts	9.8
Lumens per Watt (Efficacy)	65.31

Color Accuracy
Color Rendering Index (CRI) **92**

Light Color
Correlated Color Temperature (CCT) **3000 (Bright White)**

2700K 3000K 4500K 6500K

Warm White Bright White Daylight

All results are according to IESNA LM-79-2008: *Approved Method for the Electrical and Photometric Testing of Solid-State Lighting*. The U.S. Department of Energy (DOE) verifies product test data and results.

Visit www.lightingfacts.com for the *Label Reference Guide*.

Registration Number: NJSM-NSV8W7 (11/3/2015)
Model Number: 4iGxx LED 30K 90CRI
Type: Luminaire - Downlight

LED lighting facts[®]
A Program of the U.S. DOE Lithonia Lighting

Light Output (Lumens)	670
Watts	9.8
Lumens per Watt (Efficacy)	68.37

Color Accuracy
Color Rendering Index (CRI) **94**

Light Color
Correlated Color Temperature (CCT) **4000 (Bright White)**

2700K 3000K 4500K 6500K

Warm White Bright White Daylight

All results are according to IESNA LM-79-2008: *Approved Method for the Electrical and Photometric Testing of Solid-State Lighting*. The U.S. Department of Energy (DOE) verifies product test data and results.

Visit www.lightingfacts.com for the *Label Reference Guide*.

Registration Number: NJSM-UI8WAV (11/3/2015)
Model Number: 4iGxx LED 40K 90CRI
Type: Luminaire - Downlight