

FEATURES & SPECIFICATIONS

INTENDED USE — Ideal for applications requiring attractive die-cast aluminum signage, superior illumination and low energy consumption.

CONSTRUCTION — Precision-molded, die-cast aluminum construction — ultra-slim, compact housing. Fine-grain brushed aluminum faceplate with matte black electrostatic polymeric trim. Clear lacquer finish on brushed face inhibits fingerprints and other surface contaminants.

All electronics located inside housing.

Fully overlapping light seal prevents light leaks. Universal directional chevron knockouts are completely concealed and easily removed. Hinged faceplate and spring latches for easy lamp compartment access, no exposed hardware. Letters 6" high with 3/4" stroke, with 100 ft viewing distance rating, based upon UL924 standards.

U.S. Patent No. 5,739,639, 5,954,423 and 6,502,044. Canada Patent No. 2,204,218. Other patents pending.

OPTICS — Lamp is constructed using new LED technology. Provides perfectly uniform illumination to meet 3/4" letter stroke required by code.

The typical life of the exit LED lamp is 5 years, based on 24/7 operation. Unique LED lamp platform accommodates both single-face and double-face exits.

Low energy consumption — red exit consumes std. .81W, 1.3W (120V), green exit consumes std 1W, 1.5W (120V). Universal input voltage capabilities (120V through 277V, 50 or 60 HZ).

ELECTRICAL — Solid-state electronic elements to eliminate risk of electromechanical failures.

Surge protection meets ANSI/IEEE C62.41 category B and IEC 1000 immunity standards for high voltage surges, electrostatic discharges, high frequency electrical fast transients and line voltage dips/swells.

Emergency Operation (for EL N option only): Battery: Sealed, maintenance-free nickel-cadmium battery delivers 90 minutes capacity to lamp.

Self-diagnostics (SD option only): Two-state constant-current charger maximizes battery life and automatically recharges after battery discharge. Test switch provided for manual testing.

Self-diagnostic testing for five minutes every 30 days, 30 minutes at 180-day interval, and 90 minutes annually. Diagnostic evaluation of LED light source, AC to DC transfer, charging and battery condition.

Continuously monitors AC functionality.

Low voltage disconnect prevents excessive deep discharge that can permanently damage the battery.

Single-point microcomputer control for all electronic features.

Crystal oscillator timing system with watchdog protection for precision accuracy.

AC/LVD reset allows battery connection before AC power is applied and prevents battery damage from deep discharge.

Brownout protection is automatically switched to emergency mode when supply voltage drops below 80% of nominal.

Single multi-chromatic LED indicator to display two-state charging, test activation and three-state diagnostic status.

Test switch provides manual activation of 30-second diagnostic testing for on-demand visual inspection.

INSTALLATION — Universal mounting (top, end or back). Double face available with top or end mounting only. LRE: Trim ring has 3/4" depth adjustment to ensure a flush fit against the surface. Protrudes 1/10" from the surface. No exposed hardware.

Die-cast aluminum canopy provided for surface mount only.

LISTINGS — UL damp location listed 50°F - 104°F (10°C - 40°C). Meets UL 924, NFPA 101 (current Life Safety Code), NEC and OSHA illumination standards. North Carolina Department of Insurance.

Catalog Number
Notes
Type



LE surface



LRE recessed



Die-Cast Aluminum Exits

LE and LRE



Government Procurement:

BAA - Buy America(n) Act: Product with the BAA option qualifies as a domestic end product under the Buy American Act as implemented in the FAR and DFARS. Product with the BAA option also qualifies as manufactured in the United States under DOT Buy America regulations.

BABA - Build America Buy America: Product with a BAA option also qualifies as produced in the United States under the definitions of the Build America, Buy America.

Please refer to www.acuitybrands.com/buy-american for additional information.

WARRANTY — 5-year limited warranty. (Battery is prorated.) This is the only warranty provided and no other statements in this specification sheet create any warranty of any kind. All other express and implied warranties are disclaimed. Complete warranty terms located at: www.acuitybrands.com/support/warranty/terms-and-conditions

Note: Actual performance may differ as a result of end-user environment and application.

All values are design or typical values, measured under laboratory conditions at 25 °C.

Specifications subject to change without notice.

† Exit Signs Certified in the CA Title 20 Appliance Efficiency Database.

ORDERING INFORMATION

For shortest lead times, configure products using **bolded options**.

Example: LE S 1 R EL N SD

Series	Face type	Housing color	Number of faces	Letter color	Input voltage	Operation	Options
LE	LED, surface mount	S Stencil P Panel ¹	(blank) Matte black, brushed aluminum face BZ Dark bronze	1 Single face 2 Double face ²	R Red G Green	(blank) Universal input voltage (120-277V, 50 or 60 HZ)	(blank) None
LRE	LED, recessed	W White B Matte black				(blank) AC only EL N Nickel-cadmium battery back-up X2 Lamp wired on two separate AC circuits ³	TP Two tamper proof Torx-head screws VR Vandal-resistant shield (1/8" thick polycarbonate) ⁴ SD Self-diagnostics ⁵ BAA Buy America(n) Act and/or Build America Buy America Qualified ⁶

Accessories: Order as separate catalog number.			
ELA US12	12" stem kit (see spec sheet ELA-StemKits) ^{2,7}	ELA ERK	Recess mounting rough-in kit for LRE only (see spec sheet ELA-ERK)
ELA WG1	Back-mount wire guard (see spec sheet ELA-WG) ²		

Notes

- Panel face available for special wording only (see [Custom Signage](#) spec sheet).
- Not available with LRE models.
- UL Listed as emergency lighting.
- VR contains tamper proof screws.
- Available with EL N option only.
- BAA only available for LE.
- Add W for white.

SPECIFICATIONS

ELECTRICAL				
Primary circuit				
Type	Typical LED life ¹	Supply voltage	Input watts	Max. amps
Red LED AC only	>5 Years	120	0.81	0.05
		277	1.2	0.06
Green LED AC only	>5 Years	120	1.05	0.05
		277	1.32	0.06
Red LED emergency	>5 Years	120	1.3	0.06
		277	1.4	0.07
Green LED emergency	>5 Years	120	1.5	0.07
		277	1.7	0.07

BATTERY			
Sealed Nickel-Cadmium			
Shelf life ²	Typical life ²	Maintenance ³	Temperature range ⁴
3 years	6-8 years	none	50°F – 104°F (10°C – 40°C)

Notes

- The typical life of the exit LED lamp is 5 years, based on 24/7 operation.
- At 77°F (25°C).
- All life safety equipment, including emergency lighting for path of egress must be maintained, serviced, and tested in accordance with all National Fire Protection Association (NFPA) and local codes. Failure to perform the required maintenance, service, or testing could jeopardize the safety of occupants and will void all warranties.
- Temperature range where unit will provide capacity for 90 minutes. Higher and lower temperatures affect life and capacity.

SELF-DIAGNOSTICS (SD option only)

- Five-minute test every 30 days
- 30-minute test every six months
- 90-minute test annually
- Diagnostics evaluate the battery, lamp, charger and AC to DC transfer.

Condition	Indication
Normal mode	Steady green
Self-testing	Flashing green
Emergency mode	Off
Hi-charge	Steady red
Battery failure	Single-flash red
Lamp failure	Double-flash red
Circuit failure	Triple-flash red

KEY FEATURE

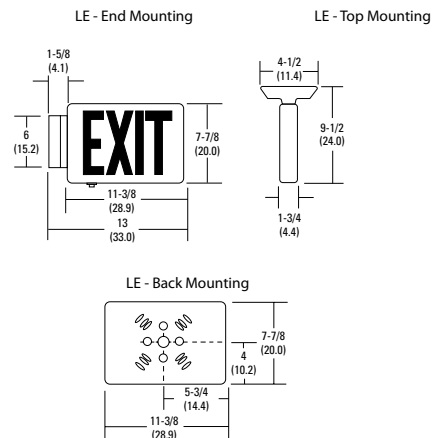


The typical life of the exit LED lamp is 10 years.

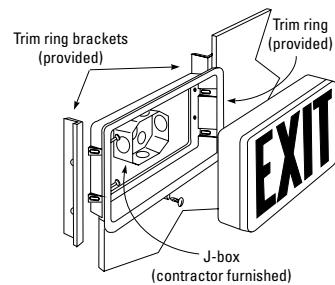
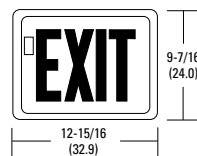
MOUNTING

All dimensions are in inches (centimeters). For VR option, add 1/4" to height and width. Add 1/8" depth for single face; 1/4" depth for double face.

Shipping weight: LE - 4 lbs (1.8 kgs)
 LE EL N - 5 lbs (2.3 kgs)
 LRE - 4 lbs (1.8 kgs)
 LRE EL N - 5 lbs (2.3 kgs)

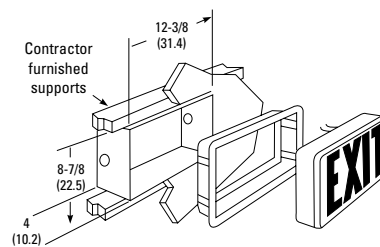


STANDARD MOUNTING



Wall opening dimensions: 8-3/4" H x 12-3/8" W x 1-3/4" D

MOUNTING WITH OPTIONAL ROUGH-IN KIT (ELA ERK)



Wall opening dimensions: 8-7/8" H x 12-3/8" W x 4" D