



LIL LED LED Wall Luminaire



Catalog
Number

Notes

Type

Hit the Tab key or mouse over the page to see all interactive elements.

Specifications

	Standard	With Battery Pack(EL)
Width:	5"	5-7/8"
Height:	5-1/8"	6-1/8"
Depth:	2-3/4"	4-1/4"
Weight:	1.5 lbs	3 lbs

Introduction

LIL LED is a compact and energy efficient wall luminaire ideal for replacing small incandescent and CFL luminaires. Photocell and battery pack options make LIL LED great for installations above doors, balconies, garage or warehouse entrances, and security applications. Whether directly mounting to a recessed junction box, or using the back box accessory for conduit entry/through wiring, LIL LED has you covered!

Ordering Information

EXAMPLE: LIL LED 40K MVOLT WH

Series	Color Temperature	Voltage	Controls	Mounting	Finish
LIL LED	30K 3000 K ¹ 40K 4000 K	MVOLT 120 / 277V ²	(blank) None PE MVOLT button photocell ^{2,3} EL Battery pack ³	(blank) None BB Back box accessory for conduit wiring ⁴	DDBTXD Textured dark bronze WH White ⁵

Accessories

Ordered and shipped separately.

LIL LED BB DDBTXD	Back box for conduit entry applications, dark bronze - CI Code *249WXH
LIL LED BB WH	Back box for conduit entry applications, white - CI Code *249WXJ

NOTES

1. Only available with EL option when order with DDBTXD.
2. MVOLT driver operates on 120V and 277V (50/60Hz).
3. PE and EL cannot be ordered together.
4. Optional accessory for conduit entry wiring. Can be ordered with the luminaire or separately. Shipped separately. BB option is not available with emergency battery pack (EL) version.
5. Only available with PE or EL option when ordered in WH.

FEATURES & SPECIFICATIONS

INTENDED USE

The versatility of LIL LED combines a sleek, compact profile with photocell and emergency battery pack options to provide a great solution for wall mount applications. LIL LED is ideal for replacing up to 100W incandescent or 32W CFL luminaires in installations above doors, balconies, garage or warehouse entrances, and security applications. It can also be used for decorative and general lighting in outdoor environments.

CONSTRUCTION

Aluminum housing with white or textured dark bronze paint for lasting durability. The polycarbonate lens creates uniform light distribution, and it is UV resistant - great for outdoor environments!

OPTICS

Light engines are available in 3000K and 4000K CCTs. See Lighting Facts label and photometry reports for specific fixture performance.

ELECTRICAL

LED technology provides long operating life (L70/50,000 hours at 25°C). Electronic drivers have a power factor >90% and THD <20% and a minimum 2.5kV surge rating.

INSTALLATION

Easily mounts to recessed junction boxes or for surface mounting and conduit entry — with the back box with two 1/2" threaded conduit entry hubs.

This luminaire is mounted with the lens facing down. Neutral wire is required for three phase input.

LISTINGS

UL Listed to U.S. and Canadian safety standards for wet locations. Rated for -40° C minimum to 40° C maximum ambient temperature. Battery pack versions are rated to 0° C minimum. Tested in accordance with IESNA LM-79 and LM-80 standards.

DesignLights Consortium® (DLC) qualified product. Not all versions of this product may be DLC qualified. Please check the DLC Qualified Products List at www.designlights.org/QPL to confirm which versions are qualified.

Eligible to be submitted for Title 20 and Title 24 compliance.

WARRANTY

5-year limited warranty. Complete warranty terms located at: www.acuitybrands.com/CustomerResources/Terms_and_conditions.aspx.

Note: Actual performance may differ as a result of end-user environment and application. All values are design or typical values, measured under laboratory conditions at 25°C. Specifications subject to change without notice.



One Lithonia Way • Conyers, Georgia 30012 • Phone: 1-800-705-SERV (7378) • www.lithonia.com
© 2017-2020 Acuity Brands Lighting, Inc. All rights reserved.

LIL LED
Rev. 03/31/20

Performance Data

Lumen Output

Lumen values are from photometric tests performed in accordance with IESNA LM-79-08. Data is considered to be representative of the configurations shown, within the tolerances allowed by Lighting Facts.

Model Number	CCT	Rated Power	Lumens	LPW
LIL LED	3000K	8.4W	800	95

Electrical Load

Model Number	Rated Power	Input current at given input voltage (amps)			
		120V	208V	240V	277V
LIL LED	8.4W	0.07	0.04	0.03	0.03

Projected LED Lumen Maintenance

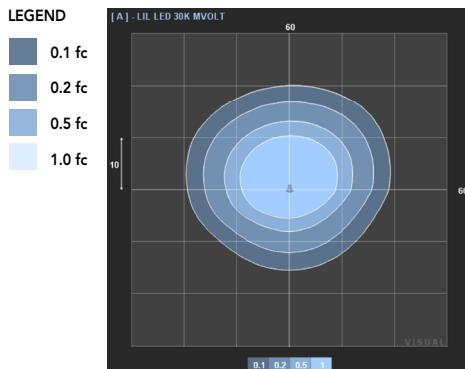
Data references the extrapolated performance projections in a 25°C ambient, based on 10,000 hours of LED testing (tested per IESNA LM-80-08 and projected per IESNA TM-21-11).

To calculate LLF, use the lumen maintenance factor that corresponds to the desired number of operating hours below. For other lumen maintenance values, contact factory.

Operating Hours	0	25,000	50,000
LIL LED	1.00	0.92	0.85

Photometric Diagrams

To see complete photometric reports or download .ies files for this product, visit the Lithonia Lighting [LIL LED](#) homepage. Tested in accordance with IESNA LM-79 and LM-80 standards



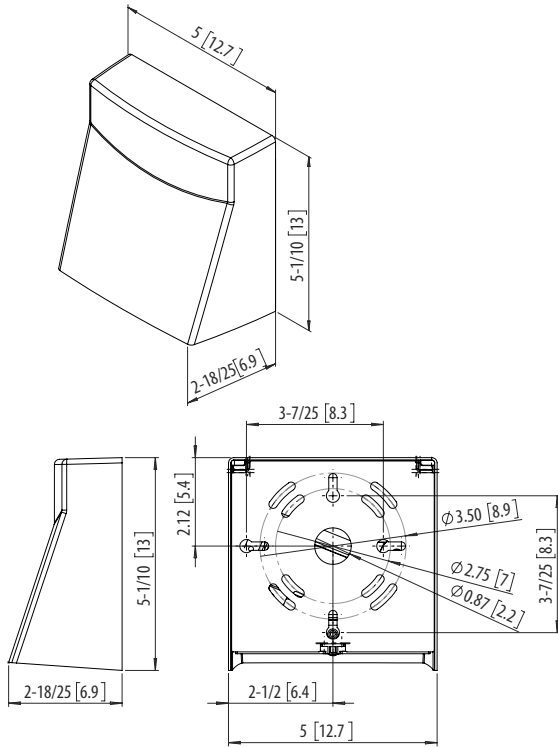
Accessories

- LIL LED BB DDBTXD Back box for conduit entry applications, dark bronze
- LIL LED BB WH Back box for conduit entry applications, white



Dimensions

LIL LED XXK MVOLT



LIL LED XXK MVOLT EL

