



Catalog Number
Notes
Type

## FEATURES & SPECIFICATIONS

**INTENDED USE** — For field or factory installation in T5, T5HO and T8 fixtures utilizing low-profile ballast and wireways. Suitable for indoor and damp locations and for sealed and gasketed fixtures, including fixtures rated for wet locations. Provides 90 minutes of emergency operation at a reduced light level.

**CONSTRUCTION** — Galvanized steel, low-profile housing works in conjunction with low-profile or standard size electronic ballasts to convert new or existing standard or high output T5 fluorescent fixtures into emergency lighting. Dual-voltage input capability (120V or 277V).

**PERFORMANCE** — Operates one 14-28W standard or 24-54W high output T5; one 32W(4'), 40W(5') and 44W HO(4') T8 fluorescent lamp; or one 36-55W (4-pin) long compact fluorescent lamp. Compatible with most one, two, three or four-lamp electronic, standard, energy-saving and dimming AC ballasts.

Battery pack wires two ways: on night light circuit (permanently energized) or on switchable circuit (unswitched circuit to battery charger and switched circuit to the fixture ballast). Battery pack will strike "normally off" lamp. Produces 425-825 lumens initial emergency light output.

**BATTERY** — Sealed, maintenance-free, high-temperature, nickel-cadmium battery. Ensures long life over wide temperature ranges. Automatic battery recharge after 90-minute discharge. 24-hour recharge time.

Pilot light and single-pole test switch provide visual and manual means of monitoring system operation.

**ELECTRICAL** — Constant current-type charger.

High-efficiency, push-pull inverter is the most effective method of converting DC power to AC power. It provides maximum light output, battery life and reliability.

**INSTALLATION** — Low-profile size (21.5"L x 1.18"W x 1.18"H) allows mounting in lighting fixtures with limited space inside fixture wireway for clear appearance and protection against vandalism. Mounting centers 21" for standard model. Test switch and pilot light included.

**LISTINGS** — UL Listed. Suitable for factory or field installation in indoor dry and damp locations and damp locations and sealed and gasketed fixtures including fixtures rated for wet locations. Temperature rating 32 °F (0°C) to 122°F (50°C). Meets UL 924, NFPA 101 (Current Life Safety Code), NEC and OSHA illumination standards

**WARRANTY** — 3-year limited warranty. Complete warranty terms located at: [www.acuitybrands.com/CustomerResources/Terms\\_and\\_conditions.aspx](http://www.acuitybrands.com/CustomerResources/Terms_and_conditions.aspx)

**Note:** Actual performance may differ as a result of end-user environment and application. Specifications subject to change without notice.

### Low-Profile Fluorescent Emergency Ballast

# PSL550



#### ORDERING INFORMATION

All configurations of this product are considered "standard" and have short lead times.

**Example:** PSL550

<b>PSL600</b>	
<b>Series</b>	
PSL550	Emergency fluorescent battery pack

<b>Accessories:</b> Order as separate catalog number.	
ELA RTS3	Remote test switch pilot light

# PSL550 Low-Profile Fluorescent Battery Pack

## SPECIFICATIONS

BATTERY				
Sealed Nickel-Cadmium				
Voltage	Typical Shelf life <sup>1</sup>	Typical life <sup>1</sup>	Maintenance <sup>2</sup>	Temperature range <sup>3</sup>
3.6	3 years	7-9 years	none	32-100°F

### Notes

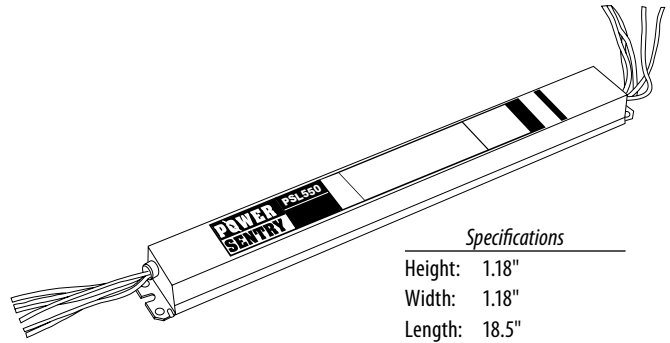
- At 77°F.
- All life safety equipment, including emergency lighting for path of egress must be tested in accordance with all National Fire Protection Association (NFPA) and local codes. Failure to perform the required testing could jeopardize the safety of occupants and will void all warranties.
- Ambient temperature range where unit will provide capacity for 90 minutes. Higher and lower temperatures affect life and capacity. Consult factory for detailed information.

ELECTRICAL (Standard)		
Maximum AC Input		
Volts	Amps	Watts
120	.18	2.5
277	.18	2.5

LAMP COMPATIBILITY	
Lamp Type	Wattage
T5	14-28
T5 HO	24-54
T8	3(4')-40(5')
T8 HO	44(4')
Long Compact (4-pin)	36-55

Partial listing of lamps operated.

PSL550 INITIAL LUMEN OUTPUT TABLE	
Lamp Tested	Lumens
FP54, F54T5/HO	700
FP39, F39T5/HO	620
FP24, F24T5/HO	390
FP28, F28T5	700
FP21, F21T5	620
FP14, F14T5	430
F32T8 (4')	635
F40T8 (4')	570
PLL-L 50W	510
PLL-L 40W	625
PLL-L 36W	610

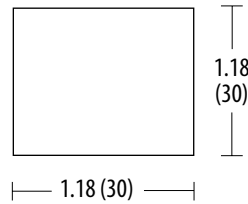


### Specifications

Height: 1.18"  
Width: 1.18"  
Length: 18.5"

## MOUNTING

All dimensions are inches (centimeters) unless otherwise indicated.



Cross section end view  
Length: 18.5" (470)  
Shipping weight: 2.3 lbs.



PSL550